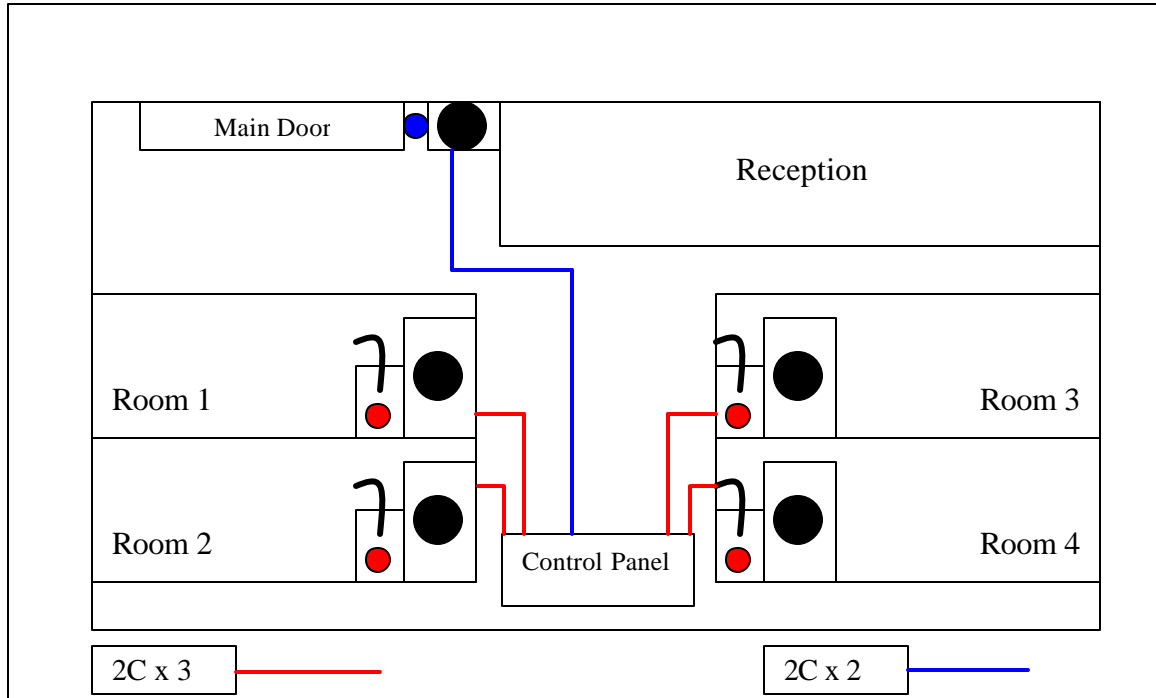


Block Diagram:**Description:**

The Microprocessor based Talk Back system is used for attending visitors without a receptionist in an office. The block diagram shown above is a typical 4 +1 talk back system. This system can be used as a standalone system or can be combined with CCTV.

Operation:

The above block diagram shows the typical wiring and logical connection between the modules. The operation of the system is as follows.

1. At normal condition, all the mics and speakers will be in off mode while the control panel monitors the entire system.
2. When a person is detected near the entrance (by CCTV popped up in the computer screen, not included in this project), one of the four persons sitting in room 1 to 4, shall attempt to talk to the person.
3. When the RED push to ON switch button is pressed, the control panel connects the mic & speaker to the room from which the switch was pressed to the reception

- mic & speaker so that both the persons can communicate. The person should hold the push button as long as he communicates with the person outside the door.
4. When more than one person tries to press the button, the control will select the room based on the first priority and the other calls are dropped.
 5. When the information is exchanged, the person in the room can release the switch & go back to work.

NOTE: - when one person is communication with the person outside the door, no other person can try to talk.

Specification:

Main Console:

Input Voltage: *230V AC 1 phase 50 Hz*

Analog Output: *5 x 2 terminals for 5 speakers & 5 x 2 terminals for 5 mics*

Digital Output: *5 x 2 terminals for soft push button*

Casing: *ABS plastic casing with terminals for connection.*

Indication: *Green LED for Power, Red LED for latching circuit.*